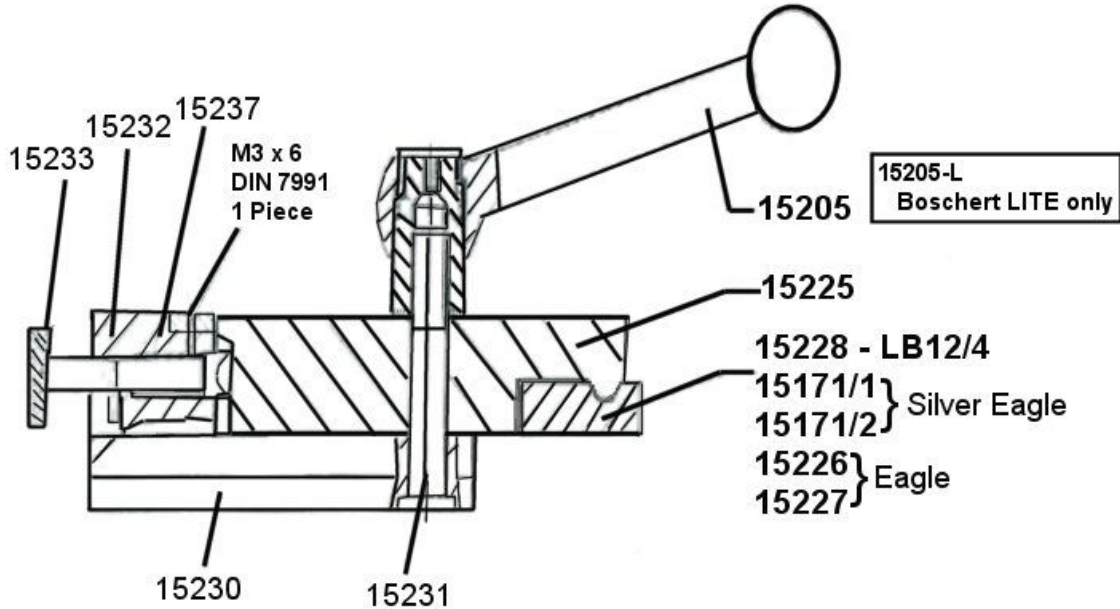


BOSCHERT

PRECISION MACHINERY, INC.

OLD Style Boschert Notcher Material Stops



USE THIS ONLY FOR REPLACEMENT PARTS FOR UNITS SOLD PRIOR TO 2005

BOSCHERT NOTCHER MATERIAL STOPS - NOVEMBER 2005

Part #	Position No.	Description	Alternate No.	Old Stock No.	Price
	15230	Sliding Block 125	1321 or 35	ART100011	\$292.50
	15231	Threaded Bolt	1325 or 38	ART100005	\$21.60
20322419	15232	Retaining Bolt	1326 or 26	ART100036	\$40.50
20322418	15233	Knurled Disc	1327 or 37	ART100037	\$26.40
20322420	15237	Pressing Spring	1329 or 121	ART100009	\$10.20
20312428	15205*	Adjustable Handle	1311 or 123	ART1FP123	\$168.00
	15225	Scale Disk	1323 or 33	ART100004	Not Available
20322414	15171 / 1	19 Sliding Bar Left	N/A	ART100003	\$425.00 Each
20322415	15171 / 2	19 Sliding Bar Right			\$425.00 Each
20312434	15226	12 Sliding Bar Right	N/A	ART100002	\$275.00 Each
20312433	15227	12 Sliding Bar Left		ART100002	\$275.00 Each

* 3 Types of 12 Bars specify Left or Right as well as type

- Flat w/mitered end for hold downs
- Mitered ends only for older Eagles
- New type mitered ends with 1/4 milled hold down slot

Hold Down Complete Assemblies - NEW STYLE ONLY

Part #	Item No.	Description	Price
20312437	Each	12 Retention stops complete with bars	\$1,250.00
20322417	Each	19 Retention stops complete with bars	\$1,375.00
15223	15223	Old Style Complete retention stops (NO BARS)	Not Available

#15205 includes spring and flat-head screw. They can be purchased separately for \$8.00 for the set.